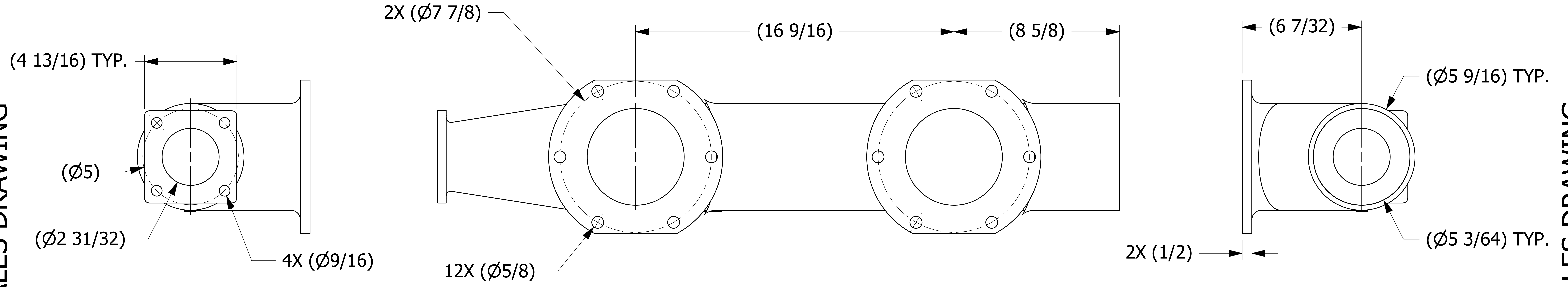


SALES DRAWING SALES DRAWING

SALES DRAWING SALES DRAWING



B	TAJ	2/22/11	REVISED DIMENSIONS AND NOTE
A	PJG	9/18/07	ADDED NOTE
REV	BY	DATE	DESCRIPTION

<small>UNLESS OTHERWISE SPECIFIED DIMENSIONAL TOLERANCES FRACTIONAL: ±1/16 X.XX: ±.03 X.XXX: ±.015 ANGULAR: ±1° DEBURR ALL SHARP EDGES. ALL MACHINED SURFACES TO HAVE A 125 RMS FINISH UNLESS NOTED OTHERWISE.</small>	DRAWN BY:	CHL
	CHECKED BY:	VD
	PROTOTYPE BY:	CHL
	PROTOTYPE DATE:	
	APPROVED FOR PRODUCTION BY:	ACC
THIRD ANGLE PROJECTION	PRODUCTION DATE:	8/26/2004

<b>SALCO PRODUCTS, INC.</b>		
PART NAME: <b>DOUBLE LATERAL 5"</b>		
MATERIAL: <b>SEE BOM</b>		
PROJECT #:	SHEET #:	SCALE:
<b>110211</b>	<b>1 OF 1</b>	<b>1:2</b>
DRAWING #:	PART #:	
<b>E19542</b>	<b>PD5ADD01</b>	

THIS PRINT, PROPERTY OF SALCO PRODUCTS INC. CONTAINS PROPRIETARY INFORMATION AND MUST NOT BE COPIED, REPRODUCED, OR USED DETRIMENTALLY TO OUR INTEREST.